

Coupling device AGH150xx



Coupling device AGH150xx



Product description

The AGH150W or AGH150W-4 coupling device is designed to extend the nominal voltage range of the ISOMETER® iso685 series. The coupling device is connected to the system being monitored by two poles and connected to the terminal AK resp. L1/L2/L3 of the ISOMETER® by means of the terminal AKxxx.

Standards

The AGH150W(-4) complies with the requirements of

- DIN EN 45545-2.

Approvals



AGH150W-4

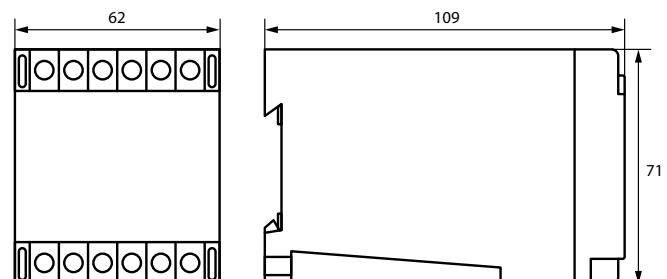


Ordering information

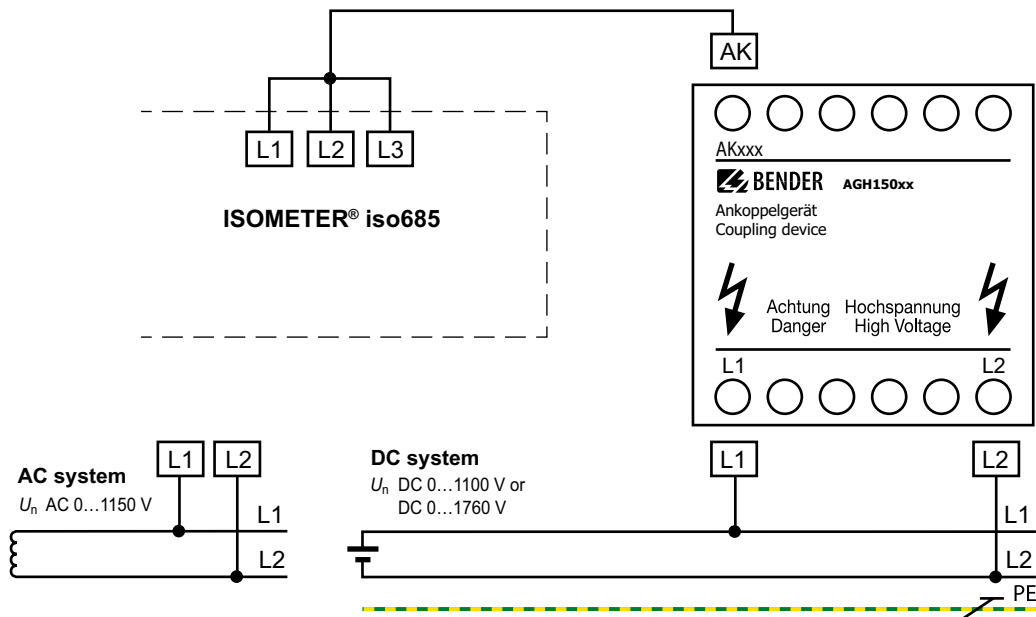
| Nominal system voltage U_n | | Type | Art. No. |
|------------------------------|------------|-----------|-----------|
| AC | DC | | |
| 0...1150 V | 0...1100 V | AGH150W | B915576 |
| | 0...1760 V | AGH150W-4 | B98018006 |

Dimension diagram X150

Dimensions in mm



Wiring diagram



Technical data

Insulation coordination acc. to DIN EN 61800-5-1 (VDE 0160-105-1)

| | |
|--------------------------------|-----------|
| AGH150W | |
| Rated insulation voltage | AC 1000 V |
| Voltage test acc. to IEC 60255 | 12 kV |
| Pollution degree | 3 |

| | |
|--------------------------------|-----------|
| AGH150W-4 | |
| Rated insulation voltage | AC 1600 V |
| Voltage test acc. to IEC 60255 | 17 kV |
| Pollution degree | 3 |

Voltage test acc. to DIN EN 61800-5-1 (VDE 0160-105-1)

| | |
|---|-------------|
| AGH150W | |
| Voltage impulse test (basic insulation) | ≥ AC 8 kV |
| AC voltage test (basic insulation) | ≥ AC 4.3 kV |

| | |
|---|-------------|
| AGH150W-4 | |
| Voltage impulse test (basic insulation) | ≥ AC 11 kV |
| AC voltage test (basic insulation) | ≥ AC 6.6 kV |

Voltage ranges

| | |
|---|------------------------------|
| AGH150W | |
| Nominal system voltage U_n | AC 0...1150 V, DC 0...1100 V |
| Frequency range of U_n (sinus) | DC 1...460 Hz |
| Overvoltage category | CAT III |
| Rated impulse voltage | ≥ 8 kV |
| Internal DC resistance R_i | 80 kΩ |
| Tolerance of internal DC resistance R_i | ±2 kΩ* |

| | |
|---|---|
| AGH150W-4 | |
| Nominal system voltage U_n | AC 0...1150 V, DC 0...1760 V DC 0...1600 V (for UL applications) |
| Frequency range of U_n (sinus) | DC 1...460 Hz |
| Overvoltage category | CAT III |
| Rated impulse voltage | ≥ 11 kV |
| Internal DC resistance R_i | ≥ 160 kΩ |
| Tolerance of internal DC resistance R_i | ±4 kΩ* |

Environment

| | |
|--|---------------|
| Class of extended operating temperature at switch-on | Class ST1 |
| Operating altitude | ≤ 2000 m AMSL |

Ambient temperatures

| | |
|-----------|--------------|
| Operation | -10...+55 °C |
| Storage | -40...+70 °C |

Classification of climatic conditions acc. to IEC 60721:

| | |
|-----------------------------------|---------------------------|
| Stationary use (IEC 60721-3-3) | 3K22 (max. 98 % humidity) |
| Transport (IEC 60721-3-2) | 2K11 |
| Long-term storage (IEC 60721-3-1) | 1K22 |

Classification of mechanical conditions acc. to IEC 60721:

| | |
|-----------------------------------|------|
| Stationary use (IEC 60721-3-3) | 3M11 |
| Transport (IEC 60721-3-2) | 2M4 |
| Long-term storage (IEC 60721-3-1) | 1M12 |

Connection

| | |
|-----------------------|-----------------------------------|
| Connection | flat terminals |
| Connection properties | |
| rigid/flexible | 0.2...4/0.2...2.5 mm ² |

Other

| | |
|--|----------------------|
| Operating mode | continuous operation |
| Mounting | any position |
| Nominal power consumption | ≤ 10 W at DC 1760 V |
| Degree of protection, internal components (DIN EN 60529) | IP30 |
| Degree of protection, terminals (DIN EN 60529) | IP20 |
| DIN rail mounting acc. to | IEC 60715 |
| Flammability class | UL94 V-0 |
| Documentation number | D00093 |
| Weight | ≤ 900 g |

* The tolerance range affects the measured value of the insulation monitoring device used and must be taken into account accordingly



Bender GmbH & Co. KG

Londorfer Straße 65 • 35305 Grünberg • Germany
Tel.: +49 6401 807-0 • info@bender.de • www.bender.de



BENDER Group